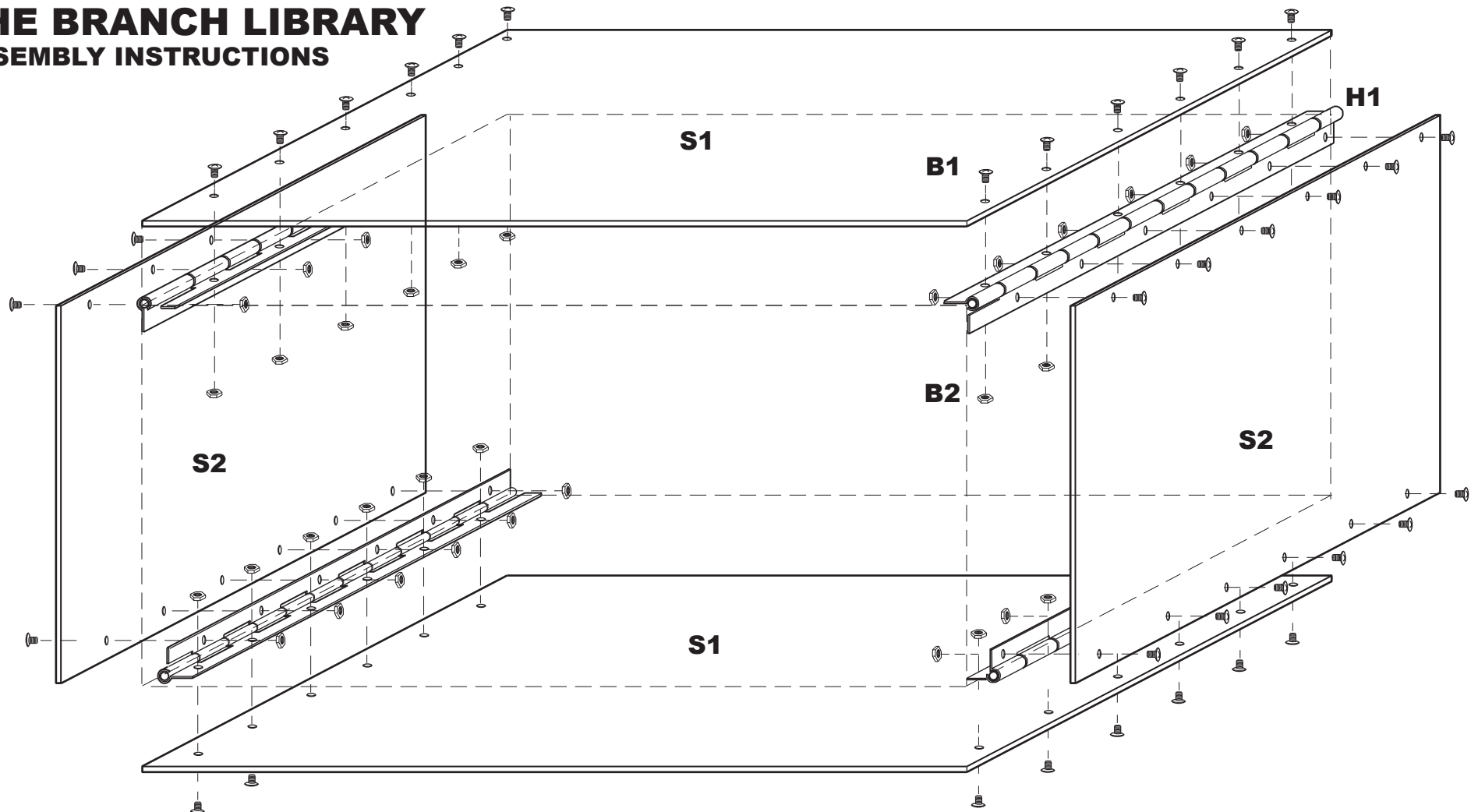


THE BRANCH LIBRARY

ASSEMBLY INSTRUCTIONS



PARTS LIST

S1 (2) 22 GAUGE STAINLESS STEEL SHEETS, 12" X 18"

S2 (2) 22 GAUGE STAINLESS STEEL SHEETS, 12" X 12"

H1 (4) 1 1/2" x 12" PIANO HINGES

B1 (48) 32X 3/16" #10 BOLTS

B2 (48) 3/16" NUTS

DIRECTIONS

1. MARK CENTER OF HINGE HOLES ONTO SHEET METAL. PRE-DRILL HOLES INTO SHEETS USING A POWER DRILL WITH A 1/4" BIT
2. PLACE HINGES INSIDE METAL SHEETS WITH HINGE PIN FACING OUT
3. ATTACH HINGES TO ALL PLATES WITH BOLTS AND NUTS
4. PLACE IN YOUR FAVORITE TREE BRANCHES AND WATCH YOUR LIBRARY GROW WITH THE TREE