

# Good To Grow Instructions

## List of Materials

- (2) wood palettes
- (2) skateboard wheel sets
- (2) bags of soil + seeds
- 6' of 2x4
- 1 rope
- fence wire
- landscape fabric
- screws

## Cost

- found
- \$2.99
- \$14.97
- found (\$2.50)
- found (\$3.00)
- found (\$3.50)
- found (\$2.00)
- found (\$3.00)

## Optional Materials

- hooks
- jars
- chalkboard paint
- hanging cans

## Tools

- screw gun
- staple gun
- saw
- hammer
- prybar



(2) persons

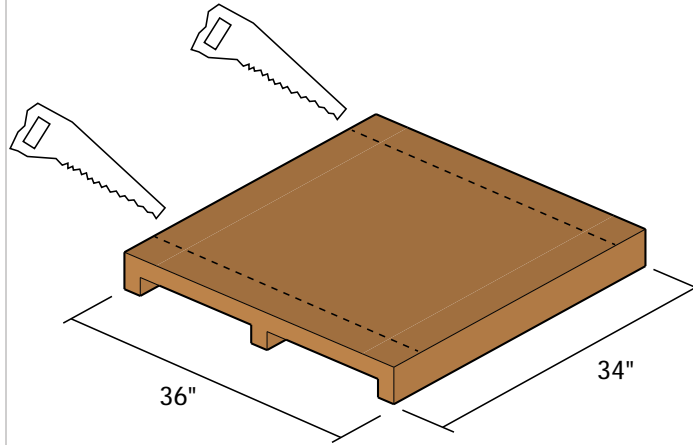


approx. 2 hours



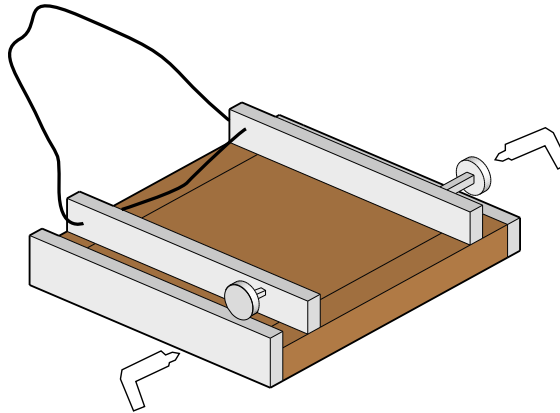
approx. \$32.00

1



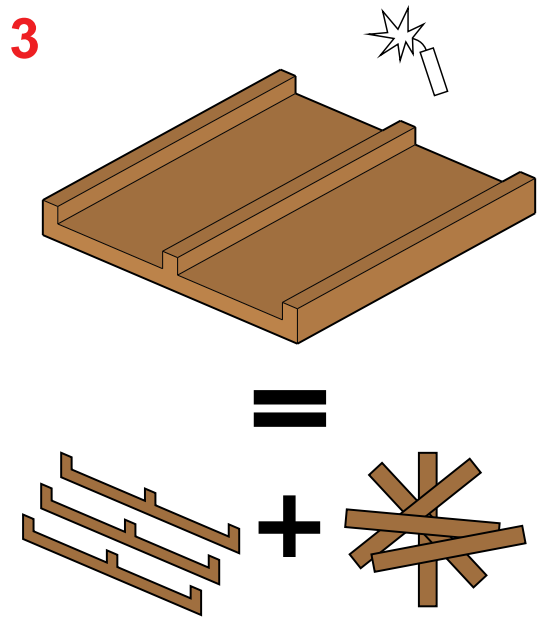
cut palette #1 to size (optional)

2



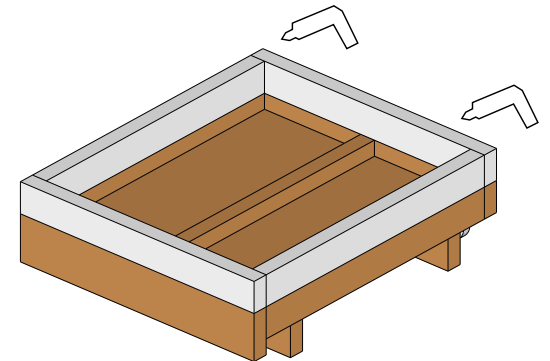
- cut 2x4 to size and attach to bottom of palette #1
- attach skateboard wheels
- attach rope

3



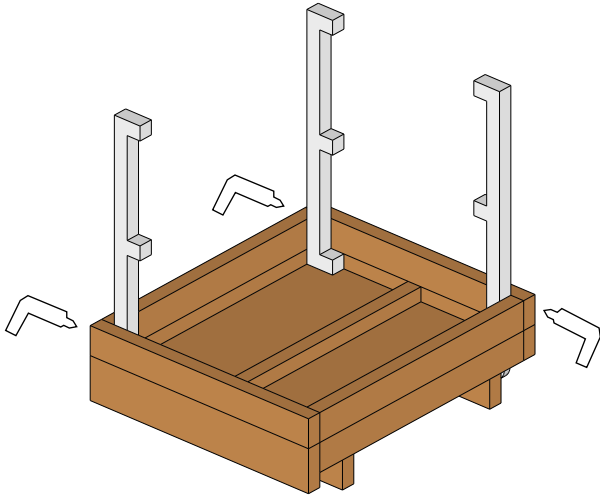
dismantle palette #2

4



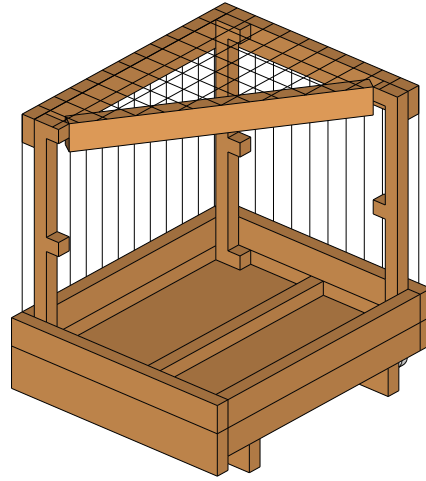
use palette #2 pieces to form planing box

5



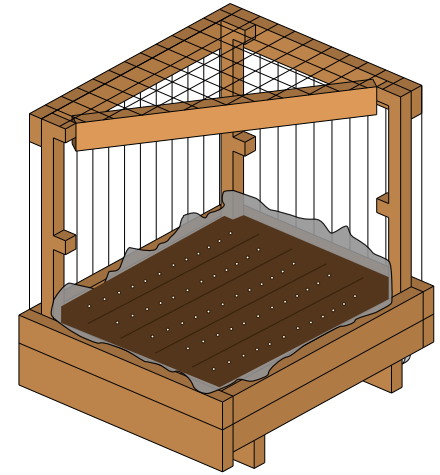
use palette #2 structure for posts

7



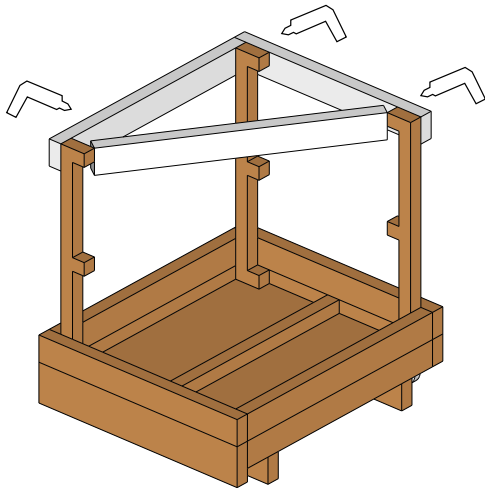
add fence wire

9



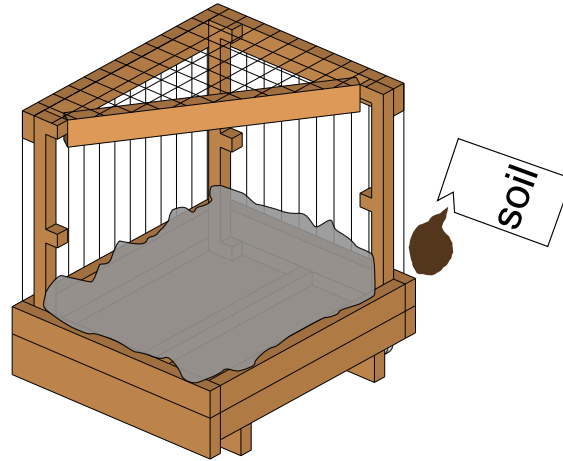
plant seeds and water

6



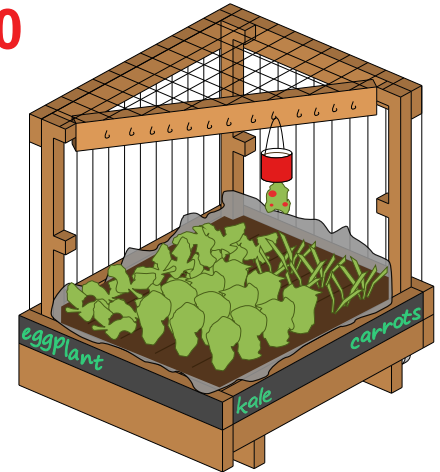
use palette #2 pieces to frame top

8



add landscape fabric and soil

10



customize as desired