

# BENDING SPACES

## ASSEMBLY INSTRUCTIONS

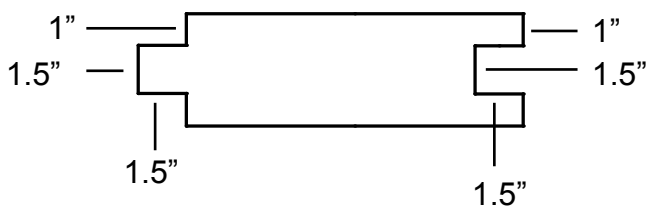


### Materials List:

- (2) 12' x 2" x 4"  
(wood two by fours)
- (1) 12' x 2" x 4"  
(wood two by fours)
- (2) 12' 3/8" galvanized metal rods  
(threaded)
- (24) 3/8" galvanized metal nuts

### Process cont.:

Joint dimensions:



Now you must align your pieces and drill a hole through the top of each end of your blocks, so that the rods can join the members as shown in Figure 1.

Once you have your holes drilled, you can align the 1.5' pieces to form the first bed as shown, the 2' pieces to form the second tier, and the 1' pieces to form the top bed. Once you have these aligned, you can place the rods in their respective places as shown in figure 1. Place a nut at each end of the rods.

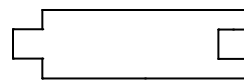
### Material prep:

Cut the 12' two by fours into 4 pieces that are 1' long, 8 pieces that are 2' long, and 24 pieces that are 1.5' long.

Cut the galvanized metal into (1) 21" long piece, (6) 10.5" long pieces, (3) 7" long pieces, (3) 3.5" long pieces.

### Process:

Now that you have all of your pieces cut, you have to create notches in all of the pieces. We did this using a table saw and jig saw, but it can be done a number of ways. Ultimately, each block you have cut will have a finger joint member cut into each end. Ultimately every one of your blocks should look like this:



And every joint should fit something like this:

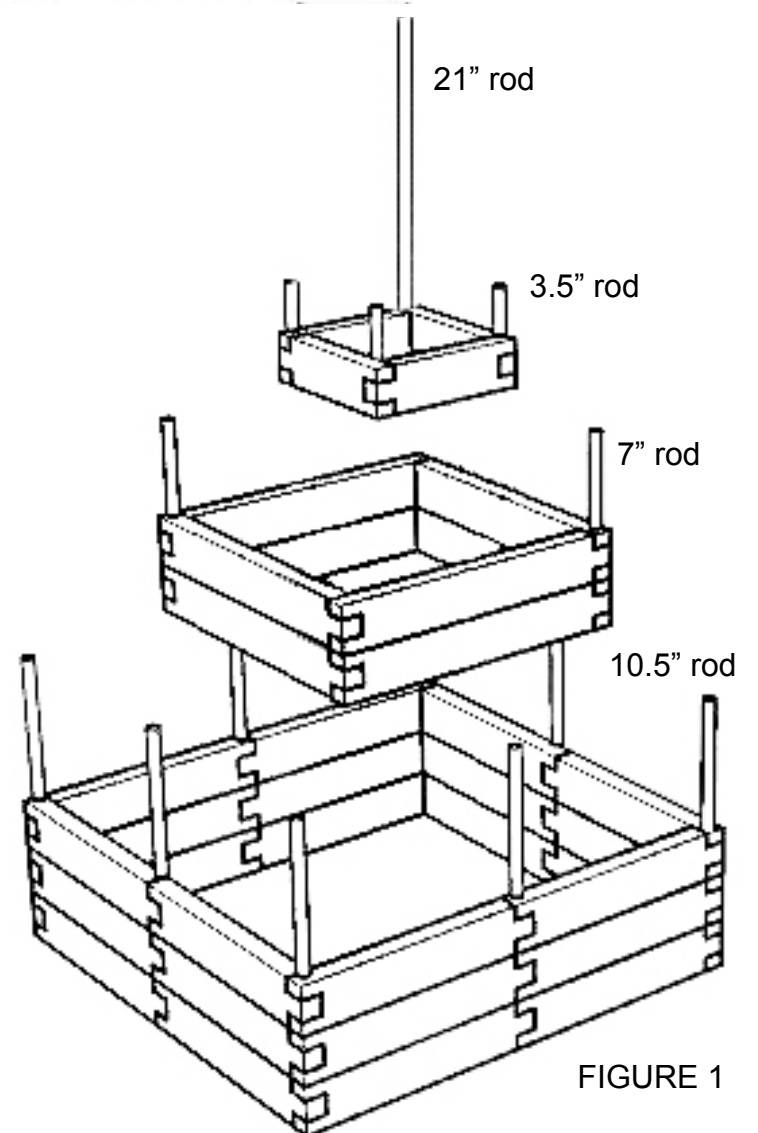
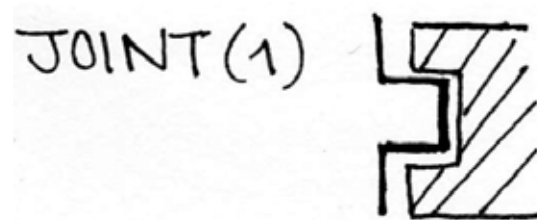


FIGURE 1

### Planting:

Now you are ready to start planting! This bed gives you depth so that you can plant a greater variety of plants. Start by placing over existing dirt, forming to your liking, and start filling with dirt from the bottom up. Once the beds are filled, you can plant in them!